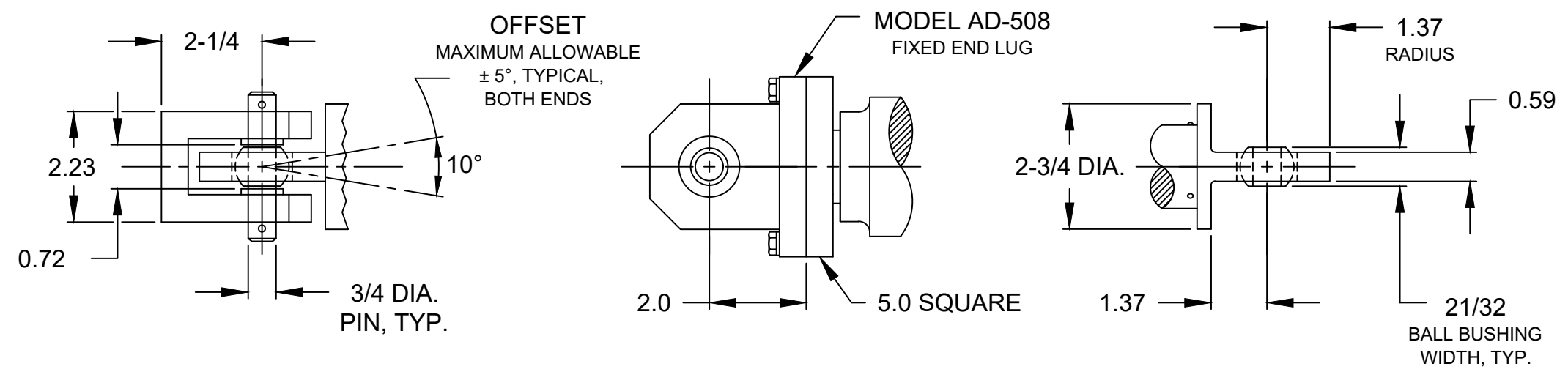
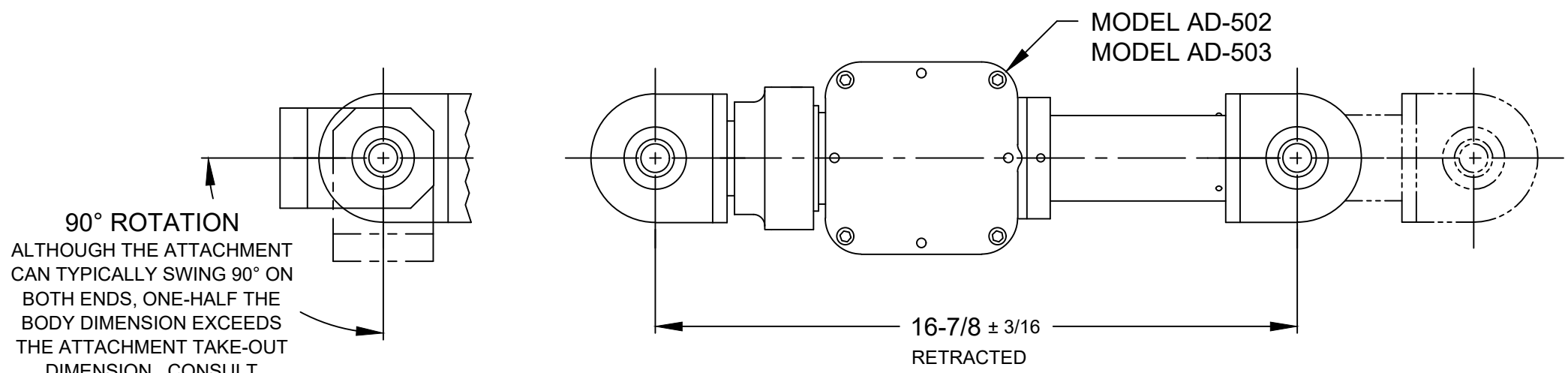
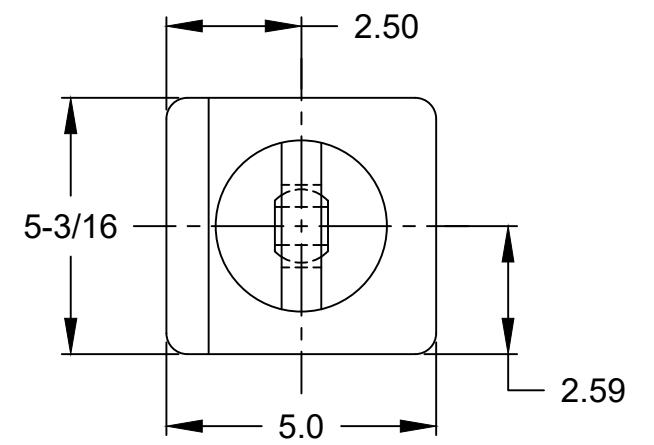
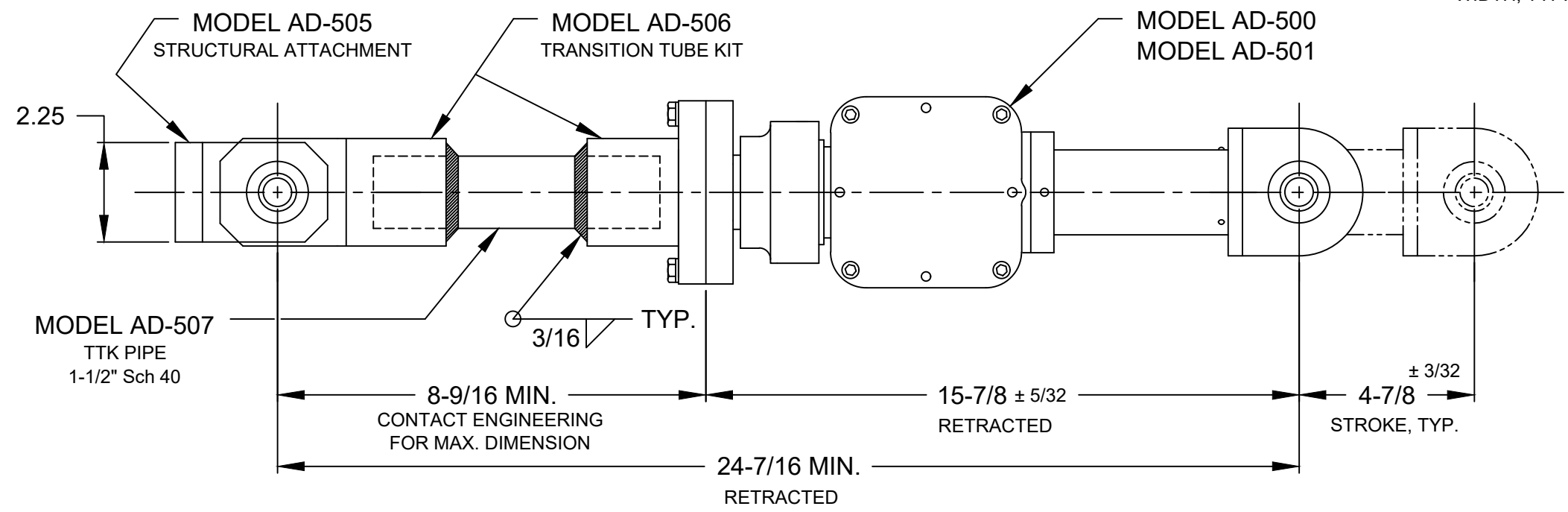


REV.	DRAWING NUMBER
A	PB0041422



ALL DIMENSIONS ARE  
FOR REFERENCE PURPOSES  
ONLY UNLESS A TOLERANCE  
IS SPECIFIED



90° ROTATION  
ALTHOUGH THE ATTACHMENT  
CAN TYPICALLY SWING 90° ON  
BOTH ENDS, ONE-HALF THE  
BODY DIMENSION EXCEEDS  
THE ATTACHMENT TAKE-OUT  
DIMENSION. CONSULT  
ENGINEERING FOR THIS  
APPLICATION.

A	REVISION TEXT BOX SAMPLE 3 LINE VERSION	
REV.	DESCRIPTION OF CHANGE	
FRONEK ANCHOR/DARLING ENTERPRISES, INC.		
Design Envelope Dimensions Model AD-500 Series Mechanical Snubbers		
DRAWN / DATE:	ENTER IN&DATE	RELEASE ECM NO.: XXXX
CHECKED / DATE:	ENTER IN&DATE	APPROVED / DATE: ENTER IN&DATE
DRAWING IS NOT TO SCALE UNLESS OTHERWISE NOTED UNLESS OTHERWISE SPECIFIED TOLERANCES SHALL BE FRACTIONAL DIMS. ± 1/64 Inch TWO DECIMALS ± .010 Inch THREE DECIMALS ± .005 Inch REMOVE ALL BURRS AND BREAK SHARP EDGES 1/64 MAX. STANDARD FINISH IS 125 RMS UNLESS NOTED OTHERWISE		