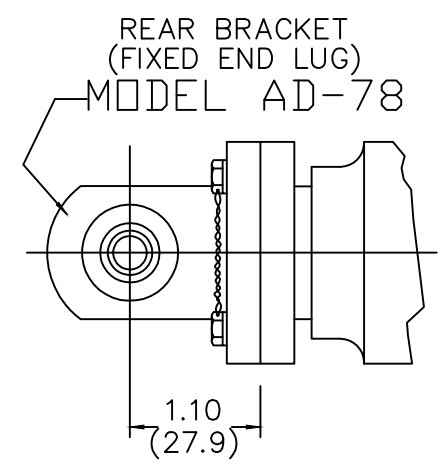
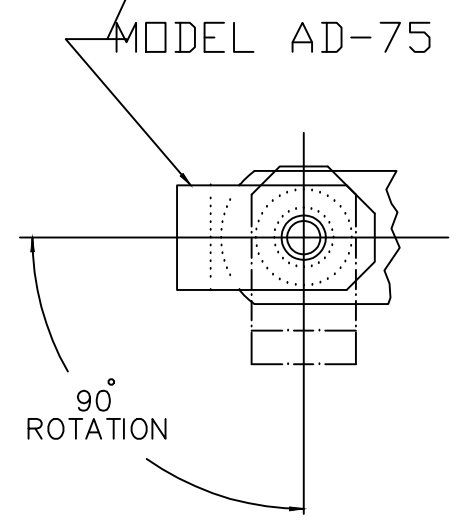
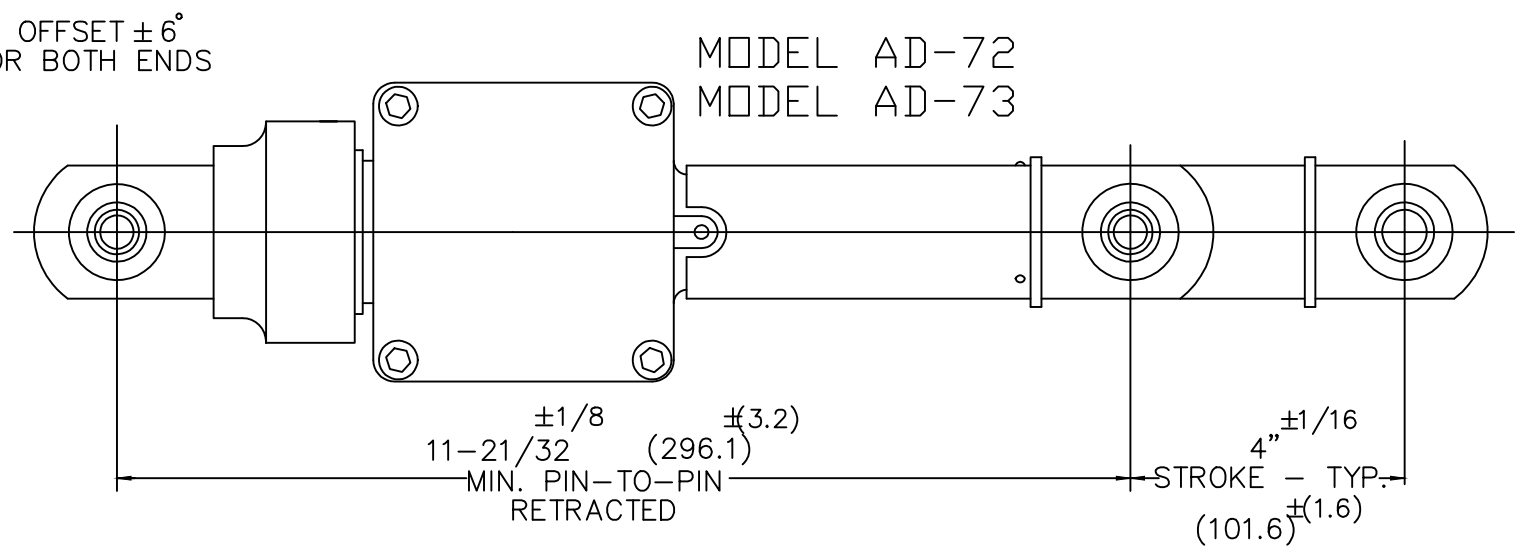
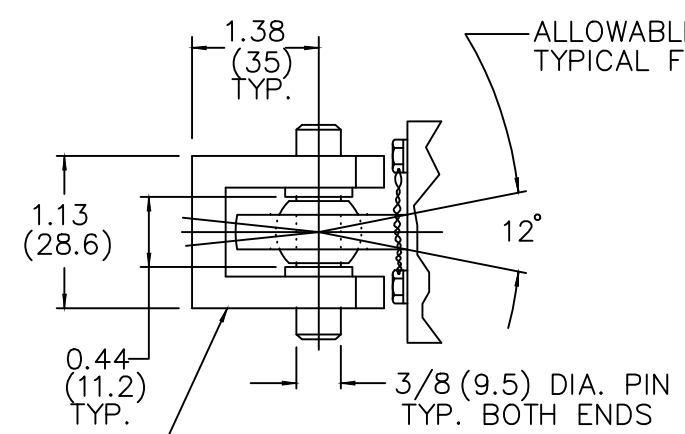
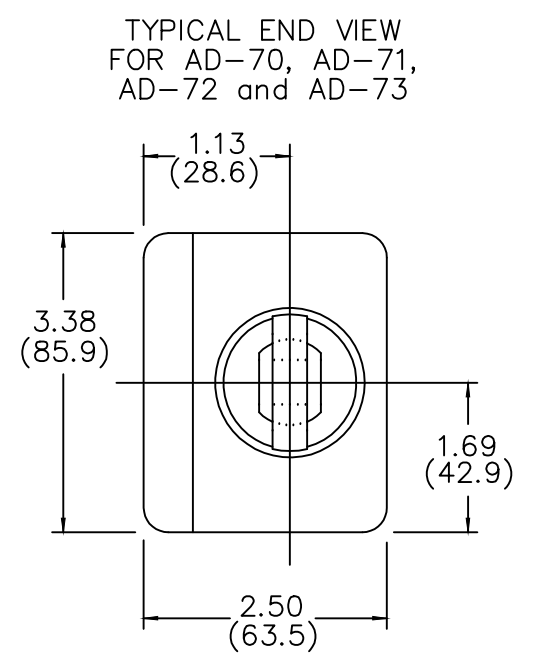
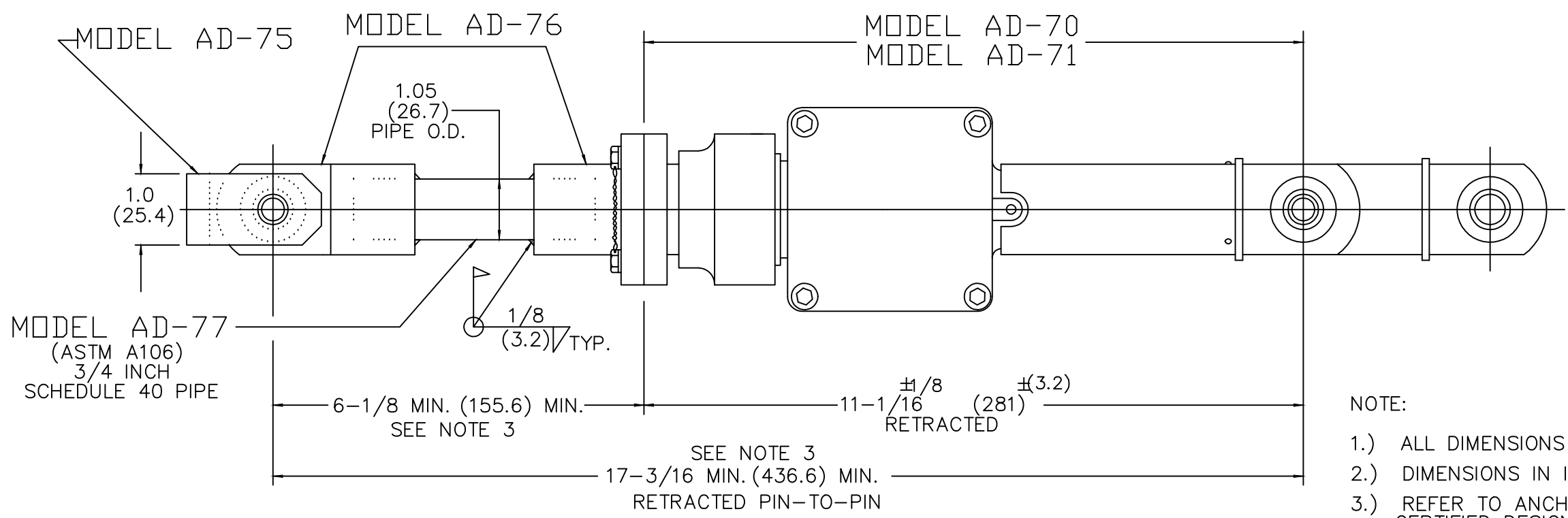
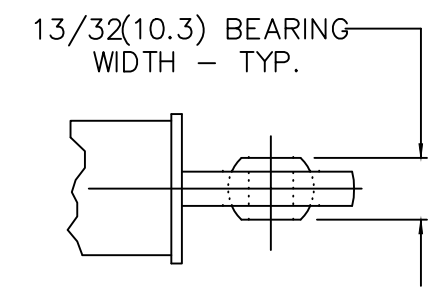


DRAWING NUMBER		REV.
PB0041423		A
<div style="border: 1px solid black; display: inline-block; padding: 2px;">A/D</div> ANCHOR / DARLING ENTERPRISES, INC.		
DESIGN ENVELOPE DIMENSIONAL DRAWING FOR AD-70, AD-71, AD-72 AND AD-73 WITH TRANSITION KIT and PIPE		
DRAWN / DATE: T. MORALES 1-12-95		RELEASE ECM NO.: 2582
CHECKED / DATE: DAB 1-12-95		APPROVED / DATE: WP 1-12-95
REV. LEVEL	DESCRIPTION OF CHANGE	
A	REVISED DRAWING TO SHOW REAR BRACKET (FIXED END LUG) AND APPROPRIATE TAKE-OUT DIMENSION. ECM 2639 07-18-95	



CONFIGURATION SHOWN AT LEFT APPLIES ONLY TO MODELS AD-70 and AD-71.



- NOTE:
- 1.) ALL DIMENSIONS ARE REFERENCE UNLESS OTHERWISE SPECIFIED
  - 2.) DIMENSIONS IN INCHES, MILLIMETERS IN PARENTHESIS
  - 3.) REFER TO ANCHOR/DARLING LOAD CAPACITY DATA SHEET (LCD) CERTIFIED DESIGN REPORT SUMMARY (CDRS) FOR MAX. DIMENSION