
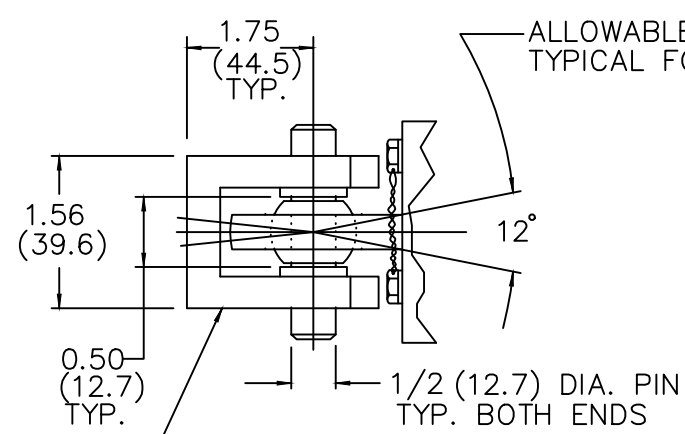
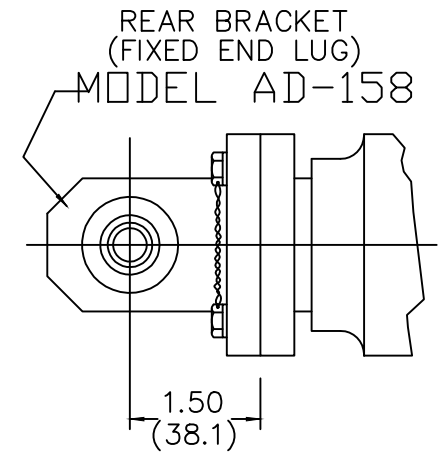
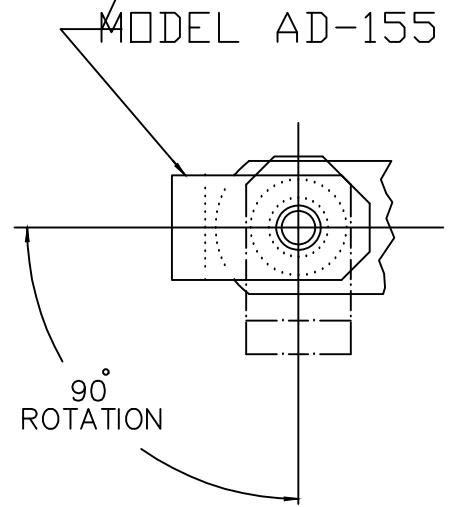
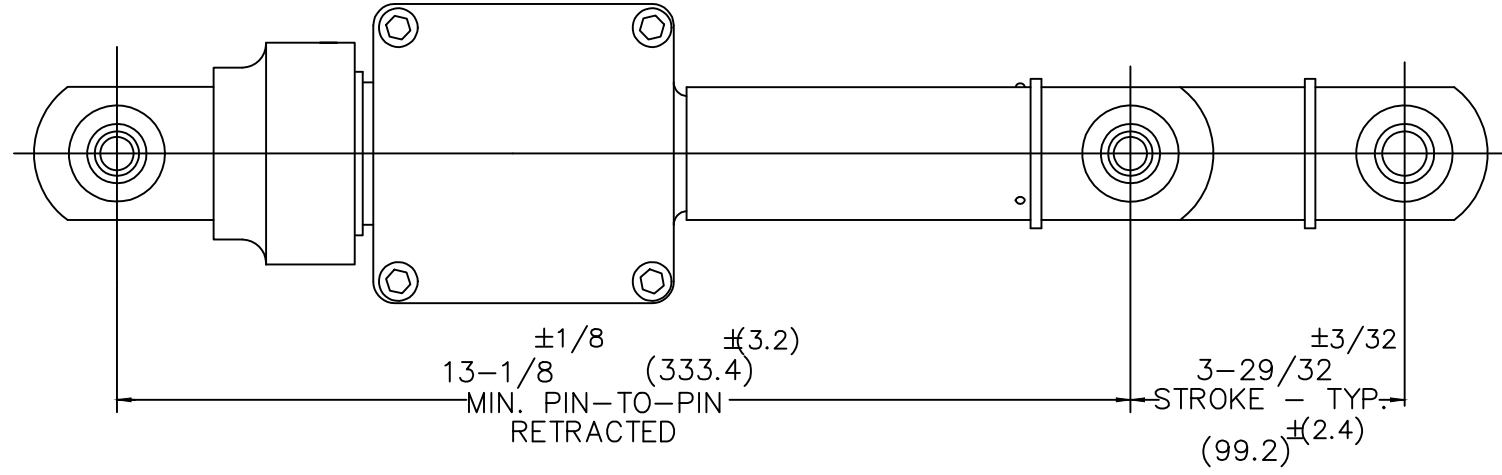


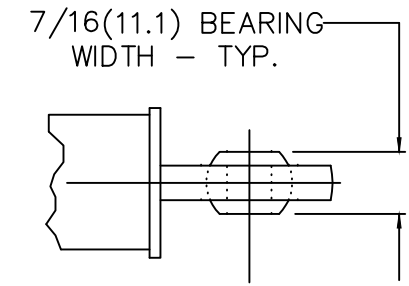
DRAWING NUMBER		REV.
PB0041424		A
 ANCHOR / DARLING ENTERPRISES, INC.		
DESIGN ENVELOPE DIMENSIONAL DRAWING FOR AD-150, AD-151, AD-152 AND AD-153 WITH TRANSITION KIT and PIPE		
DRAWN / DATE: T. MORALES 1-12-95		RELEASE ECM NO.: 2582
CHECKED / DATE: DAB 1-12-95		APPROVED / DATE: WP 1-12-95
REV. LEVEL	DESCRIPTION OF CHANGE	
A	REVISED DRAWING TO SHOW REAR BRACKET (FIXED END LUG) AND APPROPRIATE TAKE-OUT DIMENSION. ECM 2639 07-18-95	



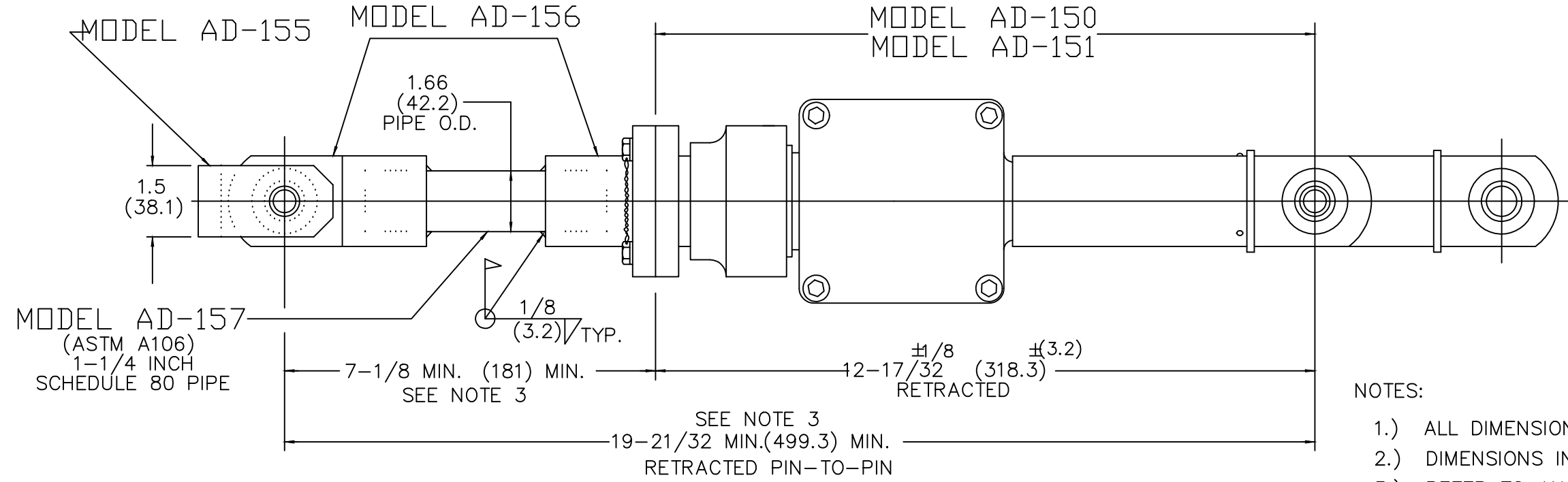
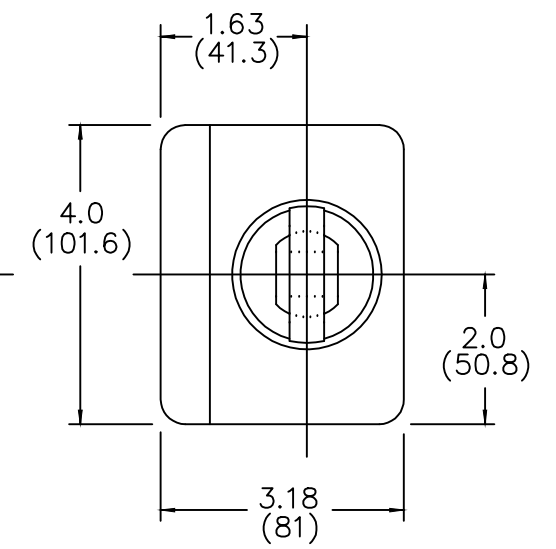
MODEL AD-152
MODEL AD-153



CONFIGURATION SHOWN AT LEFT APPLIES ONLY TO MODELS AD-150 and AD-151.



TYPICAL END VIEW FOR AD-150, AD-151, AD-152 and AD-153



NOTES:

- 1.) ALL DIMENSIONS ARE REFERENCE UNLESS OTHERWISE SPECIFIED
- 2.) DIMENSIONS IN INCHES, MILLIMETERS IN PARENTHESIS
- 3.) REFER TO ANCHOR/DARLING LOAD CAPACITY DATA SHEET (LCD) CERTIFIED DESIGN REPORT SUMMARY (CDRS) FOR MAX. DIMENSIO