
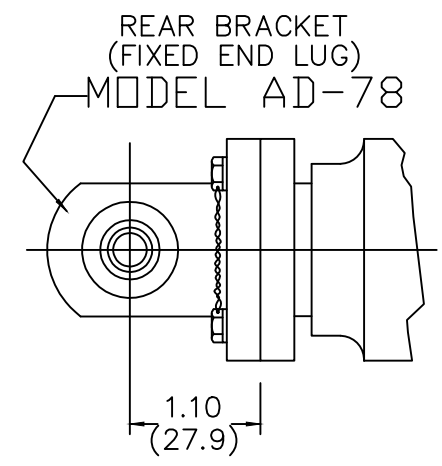
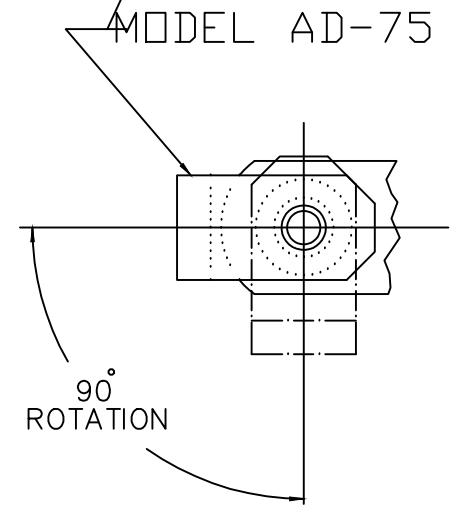
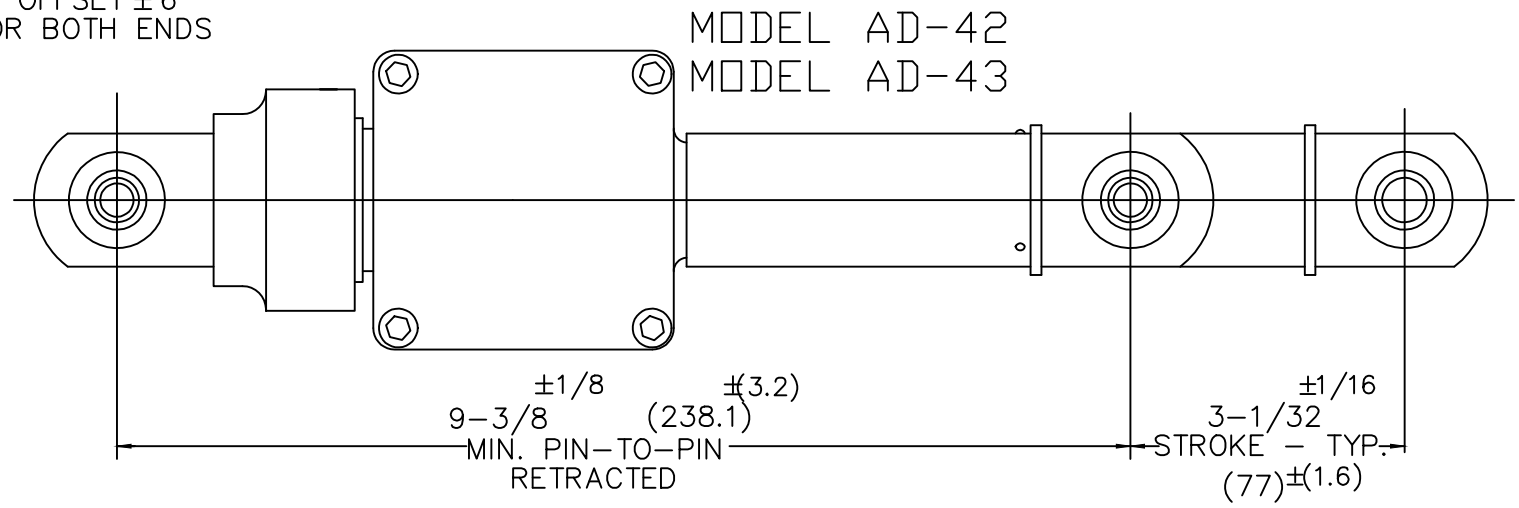
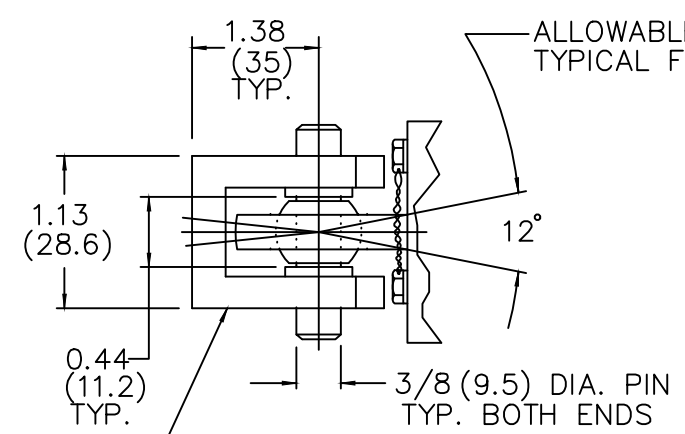
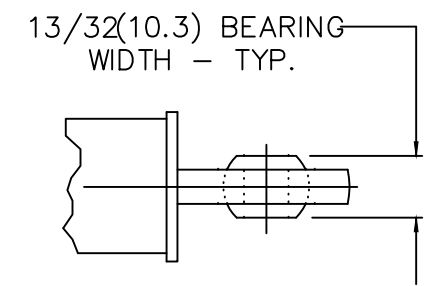


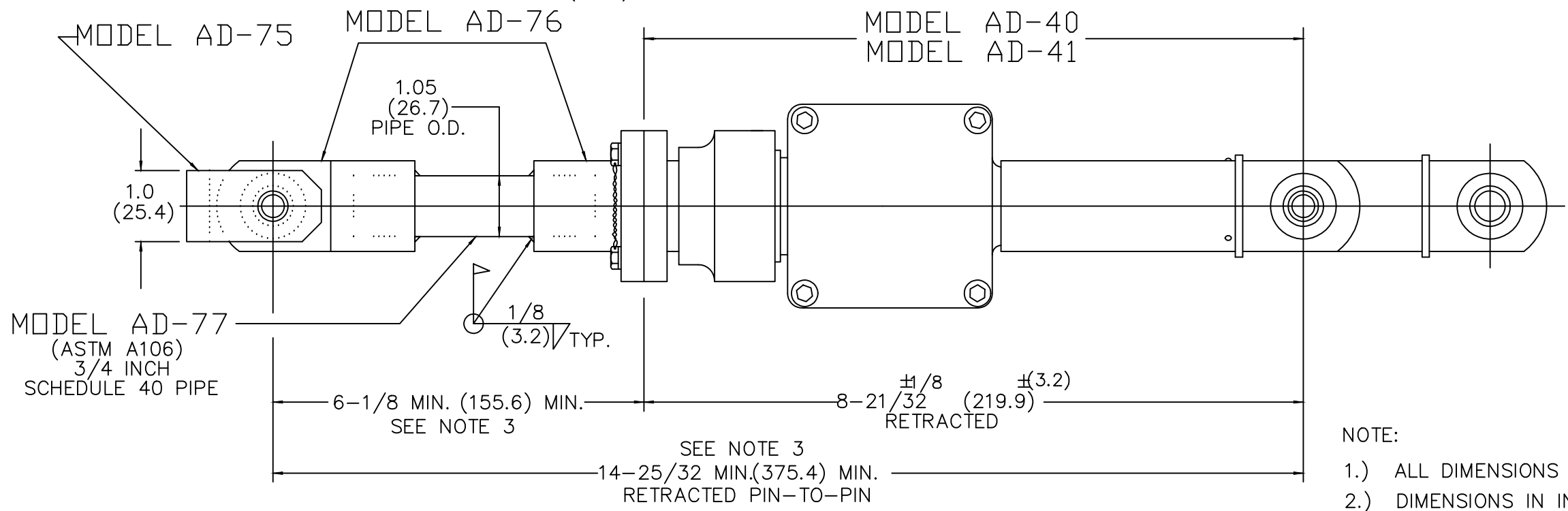
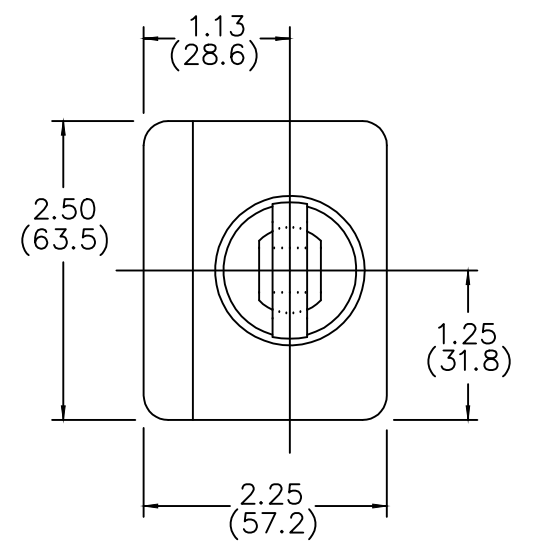
DRAWING NUMBER		REV.
PB0041425		A
 ANCHOR / DARLING ENTERPRISES, INC.		
DESIGN ENVELOPE DIMENSIONAL DRAWING FOR AD-40, AD-41, AD-42 AND AD-43 WITH TRANSITION KIT and PIPE		
DRAWN / DATE: T. MORALES 1-13-95		RELEASE ECM NO.: 2582
CHECKED / DATE: DAB 1-18-95		APPROVED / DATE: WP 1-18-95
REV. LEVEL	DESCRIPTION OF CHANGE	
A	REVISED DRAWING TO SHOW REAR BRACKET (FIXED END LUG) AND APPROPRIATE TAKE-OUT DIMENSION. ECM 2639 07-18-95	



CONFIGURATION SHOWN AT LEFT APPLIES ONLY TO MODELS AD-40 and AD-41.



TYPICAL END VIEW FOR AD-40, AD-41, AD-42 and AD-43



NOTE:

- 1.) ALL DIMENSIONS ARE REFERENCE UNLESS OTHERWISE SPECIFIED
- 2.) DIMENSIONS IN INCHES, MILLIMETERS IN PARENTHESIS
- 3.) REFER TO ANCHOR/DARLING LOAD CAPACITY DATA SHEET (LCD) OR CERTIFIED DESIGN REPORT SUMMARY (CDRS) FOR MAX. DIMENSION.