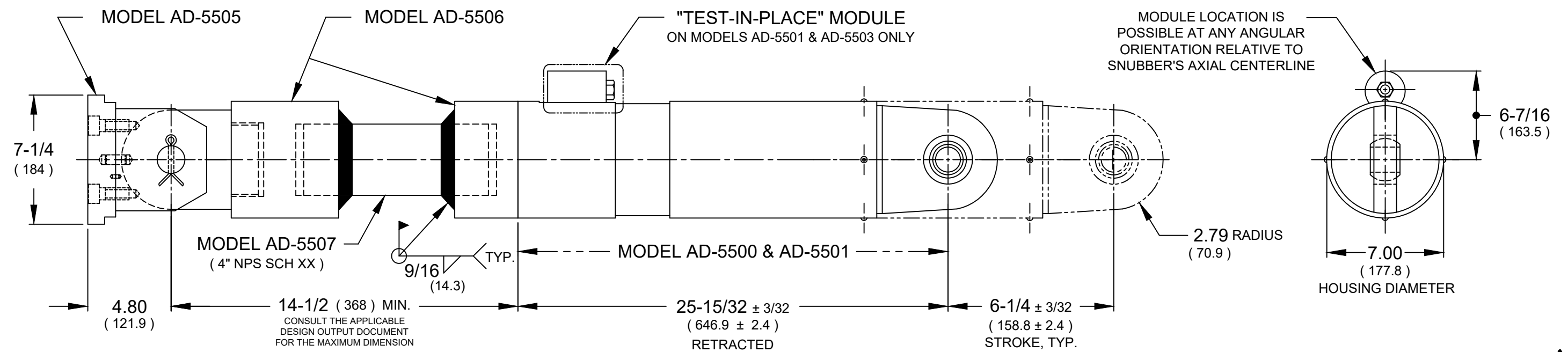


REV.	DRAWING NUMBER
C	PB0041426



MODULE LOCATION IS POSSIBLE AT ANY ANGULAR ORIENTATION RELATIVE TO SNUBBER'S AXIAL CENTERLINE

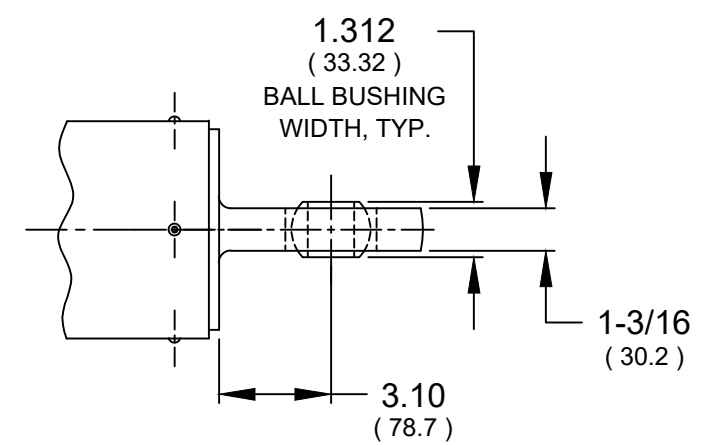
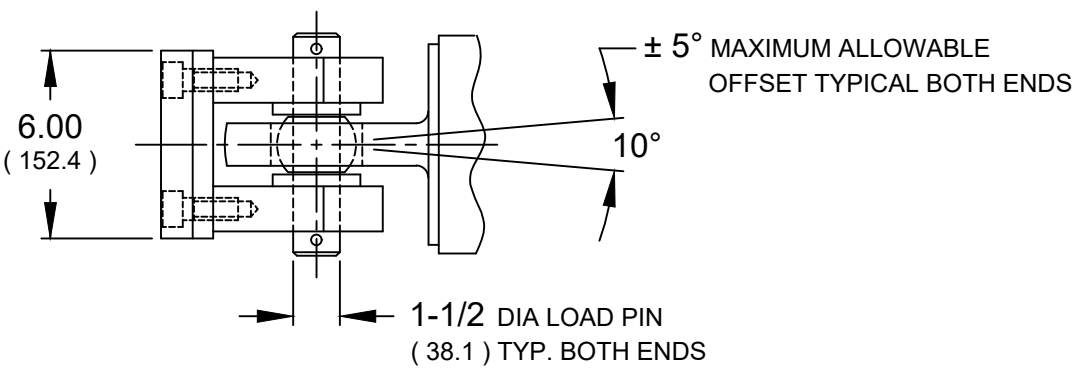
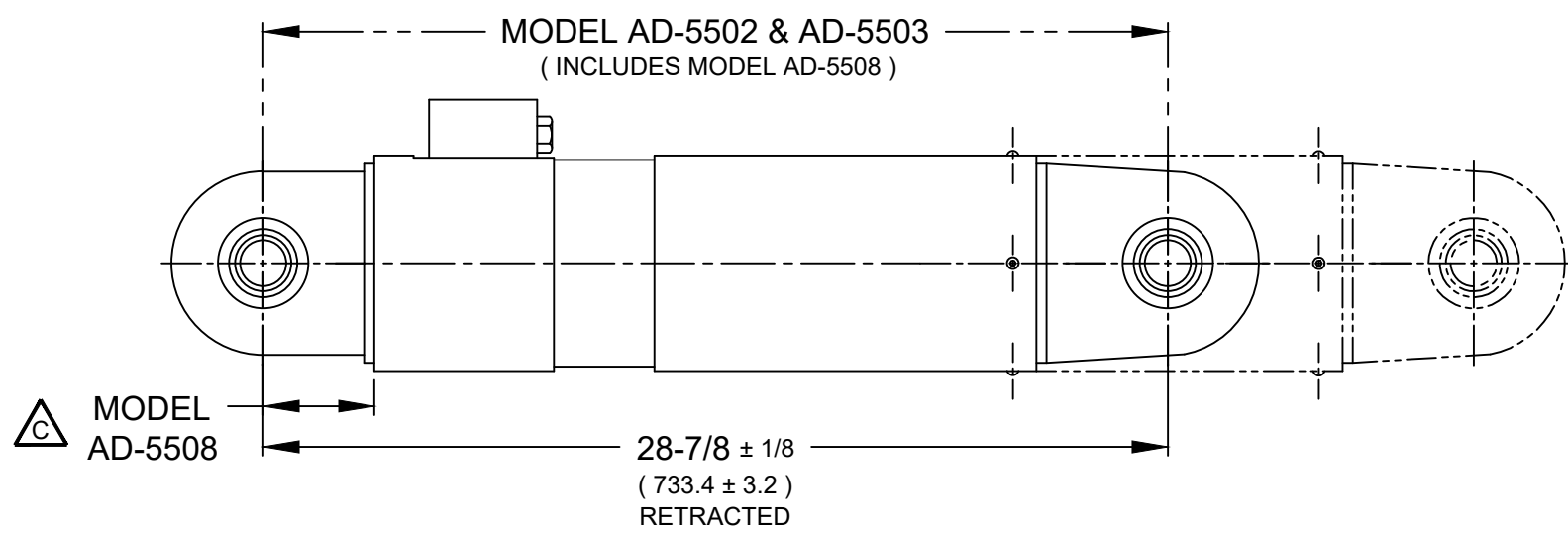
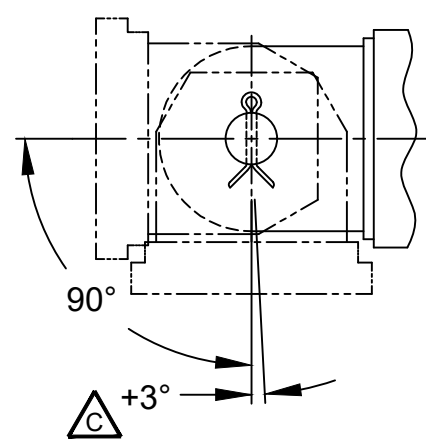
ALL DIMENSIONS ARE U.S. STANDARD IN INCHES WITH S.I. CONVERSION IN PARENTHESES (mm)

CONSULT THE APPLICABLE DESIGN OUTPUT DOCUMENT FOR THE MAXIMUM DIMENSION

MATING SUB-ASSEMBLY HARDWARE:

- MODEL AD-5505 STRUCTURAL ATTACHMENT
- MODEL AD-5506 TRANSITION TUBE KIT
- MODEL AD-5507 TTK PIPE
- MODEL AD-5508 FIXED END LUG

ADDITIONAL DIMENSIONS FOR THE HARDWARE ARE AVAILABLE ON OTHER DRAWINGS



C	ADDED: REF TO MODEL AD-5508; +3° ADDITIONAL TOLERANCE TO SWING ANGLE; S.I. CONVERSIONS & HARDWARE DESCRIPTIVE DATA. ECM 2852
B	EDITORIAL CHANGES W/ DIMENSIONAL ADDITIONS & DELETIONS. ECM 2780 WP / PBE 08/26/02
A	ERRATA CORRECTION RE BOLTING DEPICTION FOR MODEL AD-5505. ECM 2613 TM / WP 04/03/95

REV.	DESCRIPTION OF CHANGE
FRONEK ANCHOR/DARLING ENTERPRISES, INC.	
DIMENSIONAL INFORMATION FOR THE MODEL AD-5500 SERIES MECHANICAL SNUBBERS WITH MATING SUB-ASSEMBLY HARDWARE	
DRAWN / DATE: TM 01/19/95	RELEASE ECM NO.: 2219
CHECKED / DATE: DAB 01/19/95	APPROVED / DATE: WP 01/19/95

DRAWING IS NOT TO SCALE UNLESS OTHERWISE NOTED DIMENSIONS ARE PROVIDED FOR REFERENCE PURPOSES ONLY