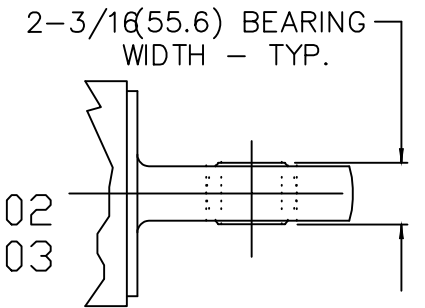


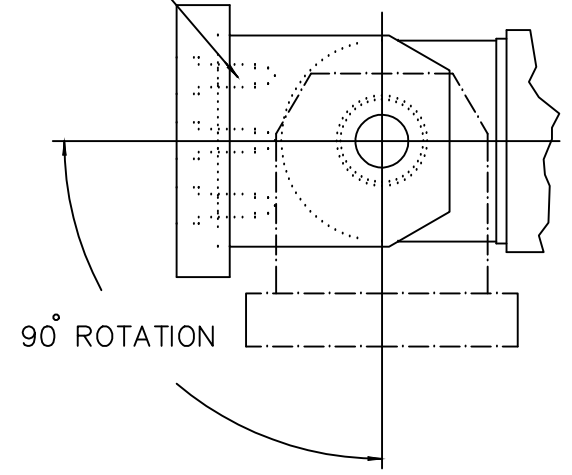
NOTE:
 1.) ALL DIMENSIONS ARE REFERENCE UNLESS OTHERWISE SPECIFIED
 2.) DIMENSIONS IN INCHES, MILLIMETERS IN PARENTHESIS
 3.) REFER TO ANCHOR/DARLING LOAD CAPACITY DATA SHEET (LCD) OR CERTIFIED DESIGN REPORT SUMMARY (CDRS) FOR MAX. DIMENSION.

ALLOWABLE OFFSET $\pm 6^\circ$
 TYPICAL FOR BOTH ENDS

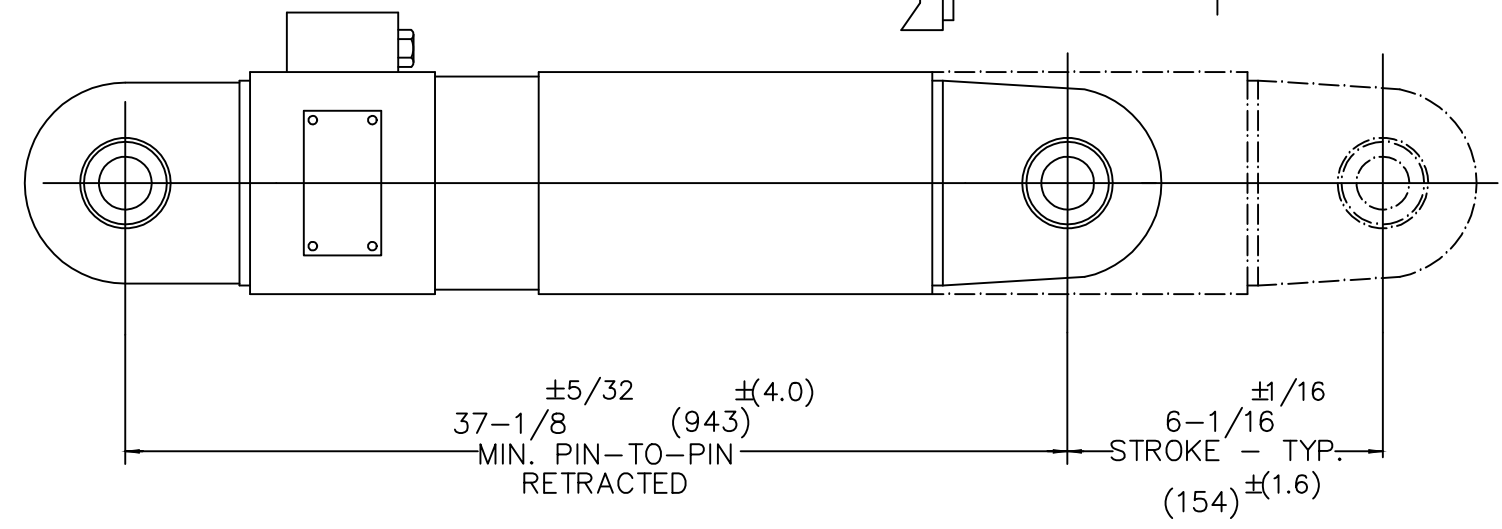


MODEL AD-12505

MODEL AD-12502
 MODEL AD-12503



90° ROTATION



POSSIBLE POSITION
 AT ANY ANGULAR
 LOCATION RELATIVE
 TO AXIAL CENTERLINE

MODEL AD-12505 MODEL AD-12506

MODEL AD-12500
 MODEL AD-12501

11-5/8 (295.3)

5-9/16 (141.3)
 PIPE O.D.

"TEST-IN-PLACE" MODULE ON
 AD-12501 and AD-12503 ONLY

4-3/16 (106.4)

7-1/8 (181)

MODEL AD-12507
 (ASTM A106)
 5 INCH
 SCHEDULE XX PIPE

16-7/8 MIN. (428.6) MIN.
 SEE NOTE 3

7/8 (22.2) TYP.

33-5/16 (846.1) ±1/8 (±3.2)
 RETRACTED

8-3/8 (212.7) DIA.

50-3/16 MIN. (1275) MIN.
 RETRACTED
 PIN-TO-PIN
 SEE NOTE 3

TYPICAL END VIEW
 FOR AD-12500, AD-12501,
 AD-12502 and AD-12503

DRAWING NUMBER		REV.
PB0041427		-
ANCHOR / DARLING ENTERPRISES, INC.		
DESIGN ENVELOPE DIMENSIONAL DRAWING FOR AD-12500, -12501, -12502 and -12503 WITH TRANSITION KIT and PIPE		
DRAWN / DATE:	RELEASE ECM NO.: 2617	
CHECKED / DATE:	APPROVED / DATE:	
REV. LEVEL	DESCRIPTION OF CHANGE	