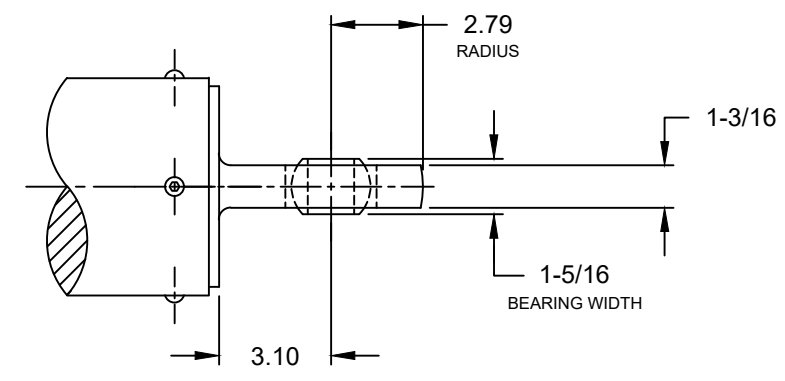
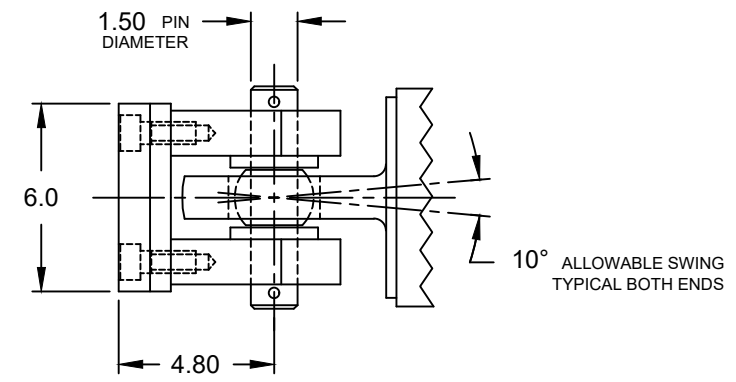
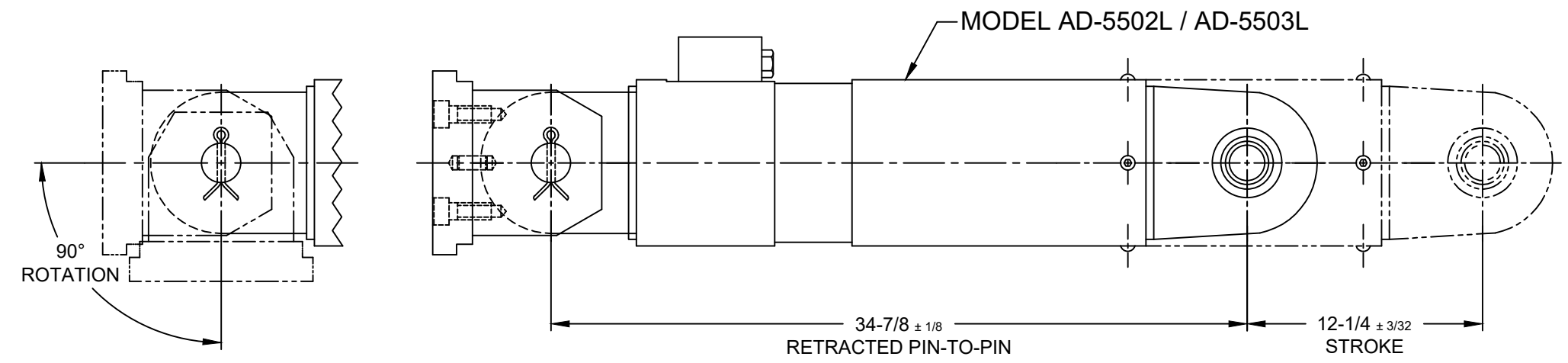
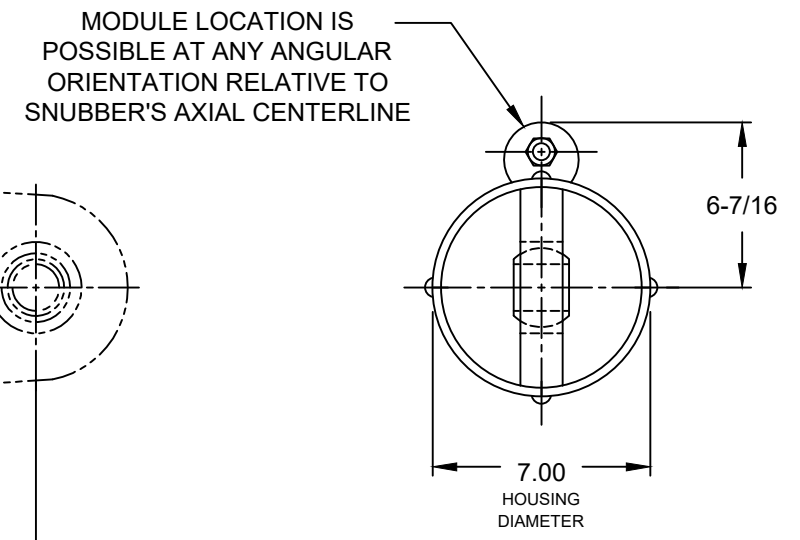
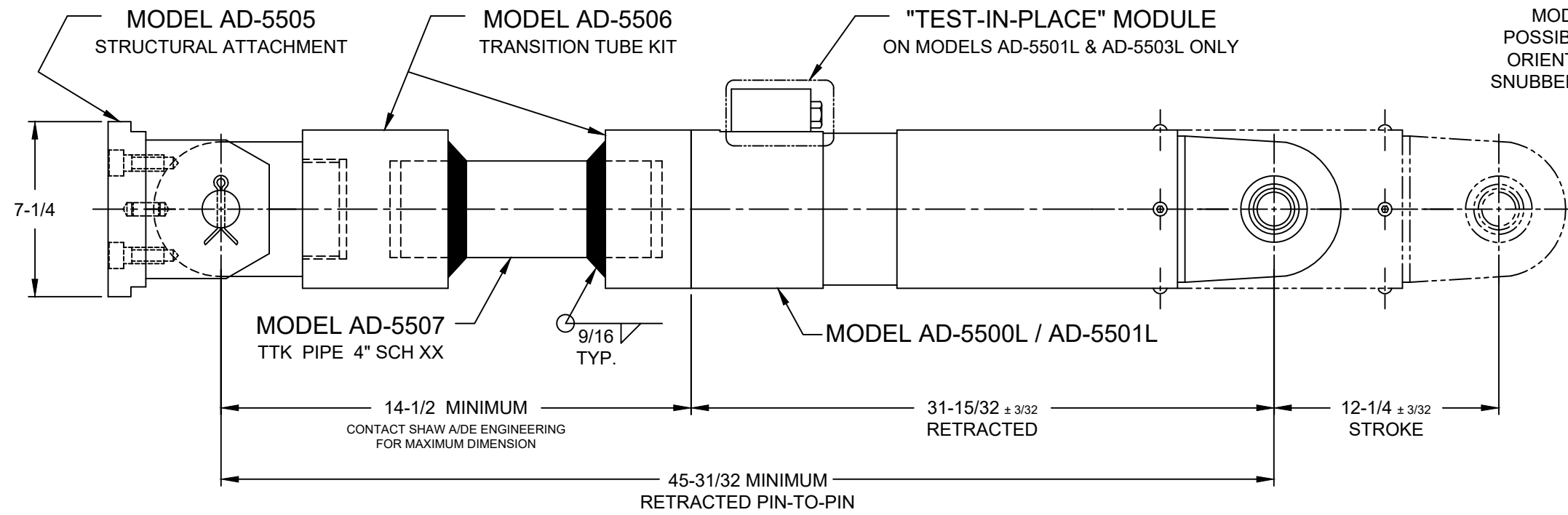


REV.	DRAWING NUMBER
-	PB0041436



LOAD CAPACITY: 45,000 Lbs  
 ALL DIMENSIONS ARE FOR REFERENCE PURPOSES ONLY

REV.	DESCRIPTION OF CHANGE
<b>FRONEK A/DE INC.</b>	
DESIGN ENVELOPE DIMENSIONS FOR MODEL AD-5500L SERIES MECHANICAL SNUBBERS INCLUDING MODEL AD-5506 TRANSITION TUBE KIT AND MODEL AD-5505 STRUCTURAL ATTACHMENT	
DRAWN / DATE:	RELEASE ECM NO.: 2780
CHECKED / DATE:	APPROVED / DATE:

DRAWING IS NOT TO SCALE UNLESS OTHERWISE NOTED  
 UNLESS OTHERWISE SPECIFIED TOLERANCES SHALL BE  
 FRACTIONAL DIMS. ± 1/64 Inch  
 TWO DECIMALS ± .010 Inch  
 THREE DECIMALS ± .005 Inch  
 REMOVE ALL BURRS AND BREAK SHARP EDGES 1/64 MAX.  
 STANDARD FINISH IS 125 RMS UNLESS NOTED OTHERWISE